



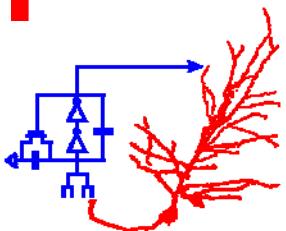
MERIT
●●●●●●●●
2006 FAIR

A Flexible USB 2.0 Address-Event Representation Router

Matthew Carlberg, Columbia University

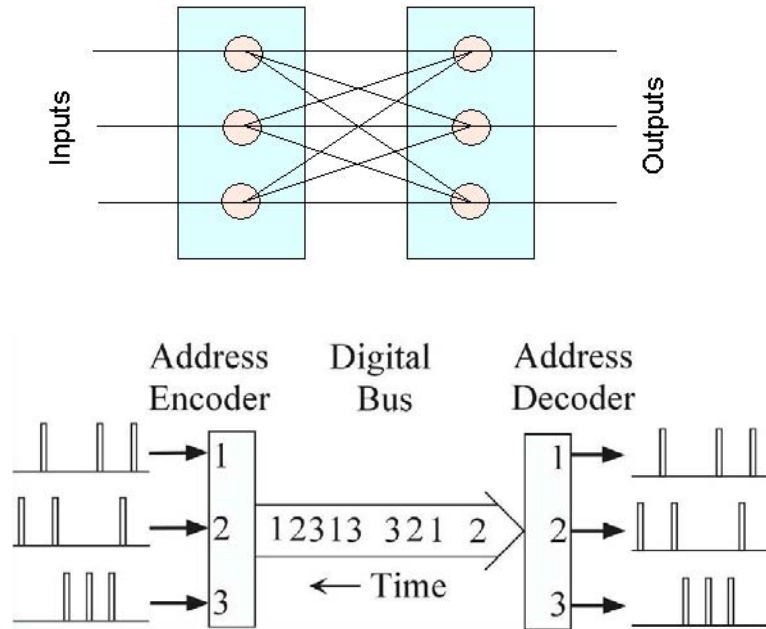
Marc Goldman, University of Maryland

Research Advisor: Timothy K. Horiuchi

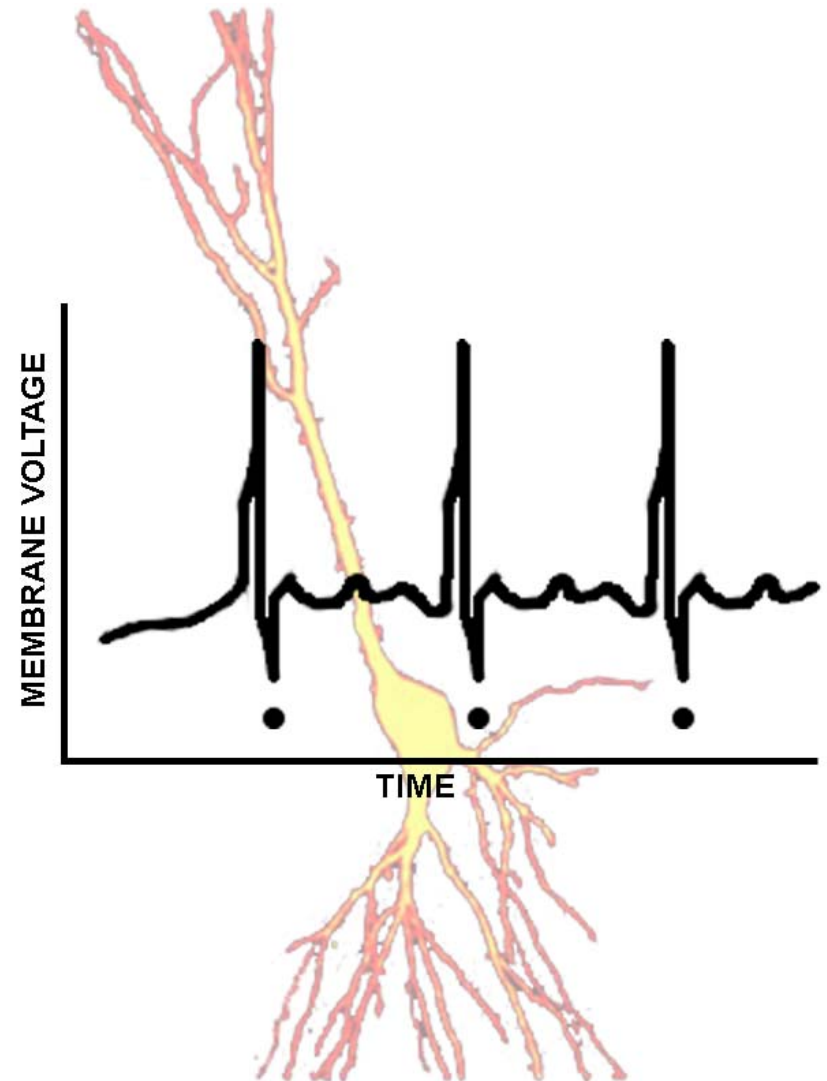


Background

- Neural Spike Trains
- Neuromorphic VLSI
- Address-Event Representation (AER)



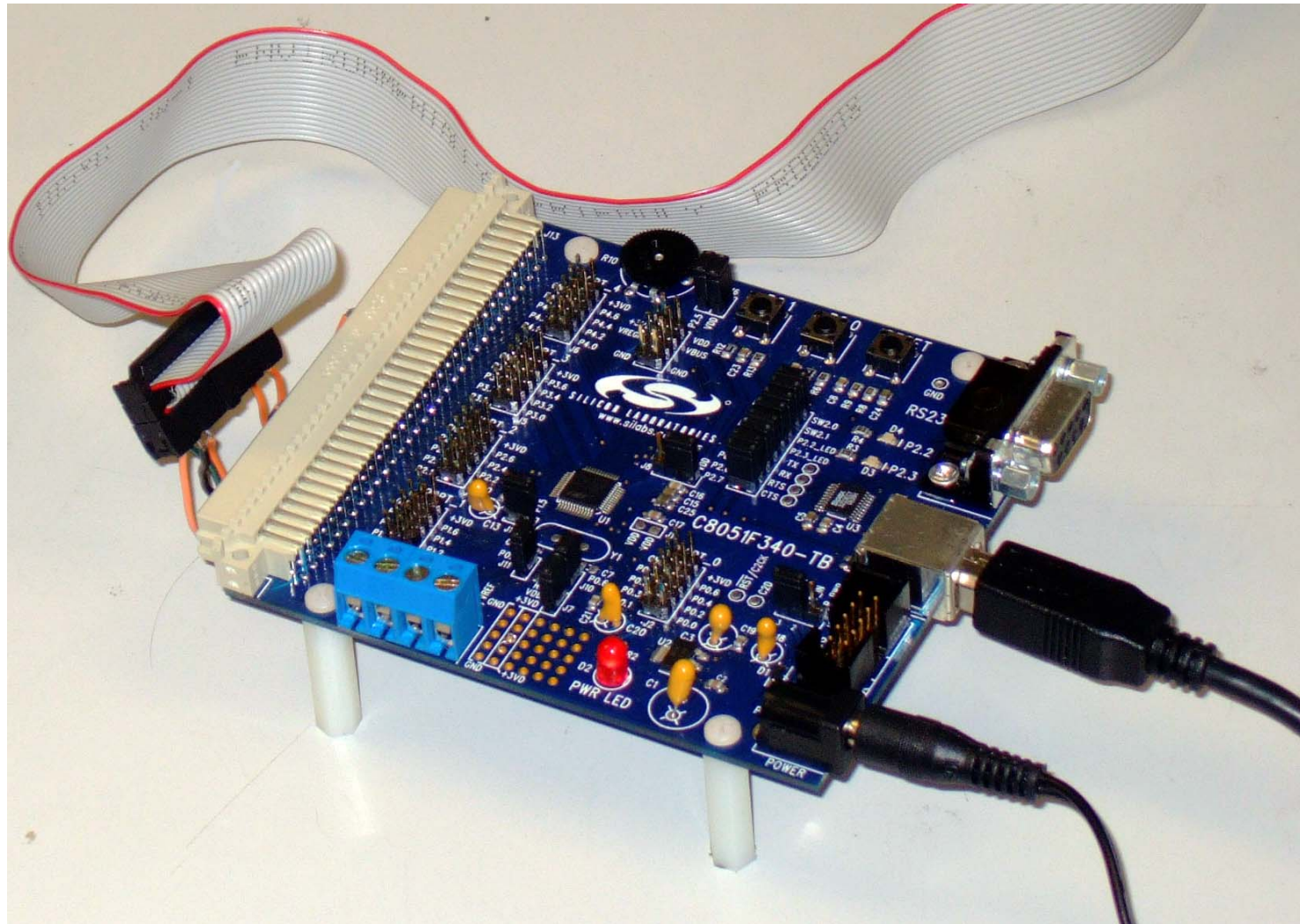
(Adapted from Boahen, 2000)





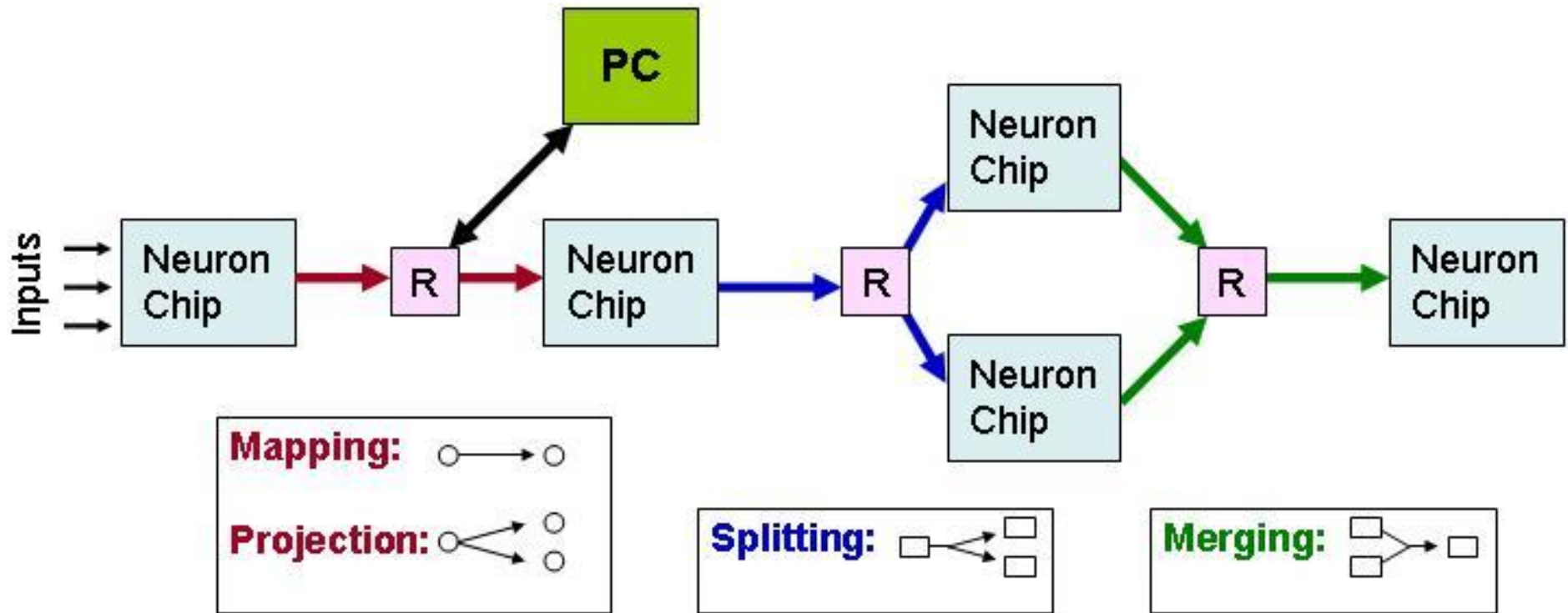
MERIT
2006 FAIR

AER Router





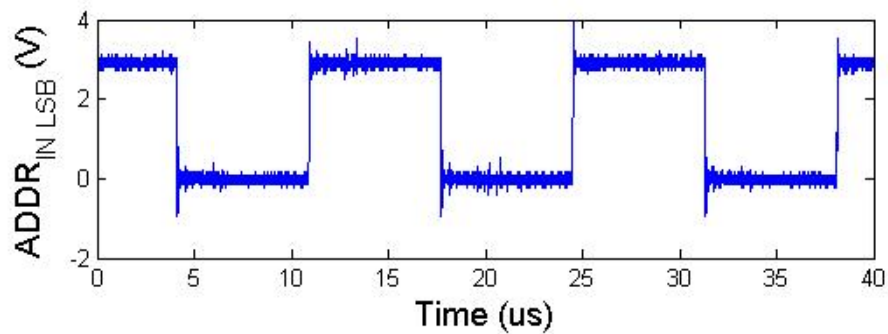
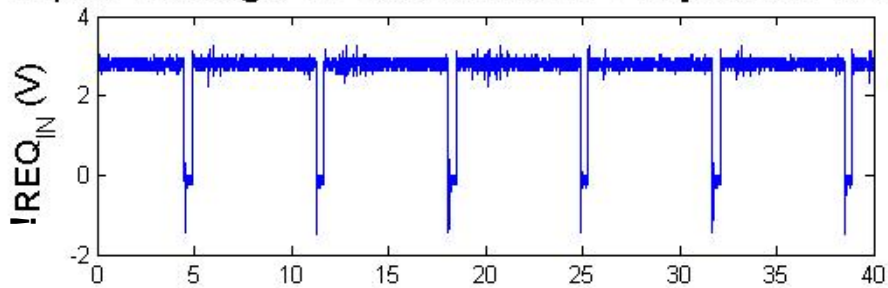
Router Functions



Results

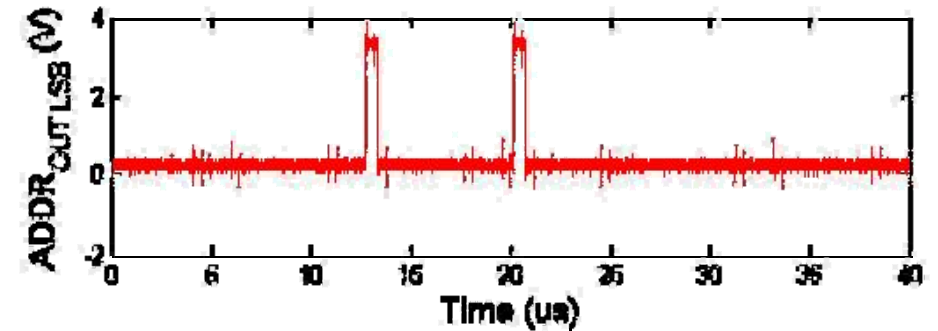
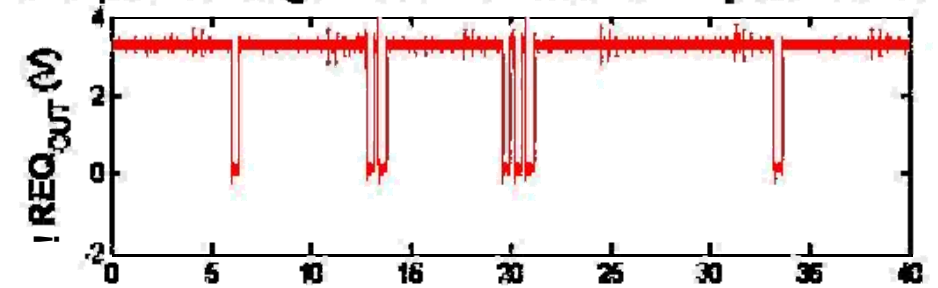
INPUT

Input Voltage Waveforms in Projection Mode



OUTPUT

Output Voltage Waveforms in Projection Mode



Conclusion

- The AER Router is built for use in the Computational Sensorimotor Systems Laboratory.
- The AER Router handles all specified functionalities.
- Visit Our Poster. We have a

